

ECOKRAFT MATERIAL BUNKER MB

COLLECT, STORE & CONVEY



AREAS OF APPLICATION

The ECOKRAFT material bunker is a perfect solution for filling the pellet mill. Thanks to its high-quality workmanship

and the use of food-safe paints in the interior, the material bunker is suitable for a wide variety of fine bulk materials, whether for energy, fertilizer, bedding or feed. All components are manufactured disproportionately and ensure long usability. Thanks to the use of level sensors, the material bunker can be operated fully automatically with the start/stop function. Integrated frequency converters also ensure a perfectly adjustable conveying speed.

ADVANTAGES

- ✓ High-quality and solid construction
- ✓ Extra mixer to avoid bridging
- ✓ Automated filling of the pelleting press possible
- ✓ Easy operation

ECOKRAFT MATERIAL BUNKER MB

The steel material bunker with screw discharge and closed material conveying system is extremely variable. The material bunkers are offered as variants with 2, 4, 6 or 10 cubic meters capacity. Special agitators are used to prevent bridging. Optional: filling level sensor and extra reinforced frame for the installation of a clean air extraction system.



Simple unfolding mechanism



Integrated dust seal as a transition to the pellet mill



Integrated agitator to prevent bridging with very light material



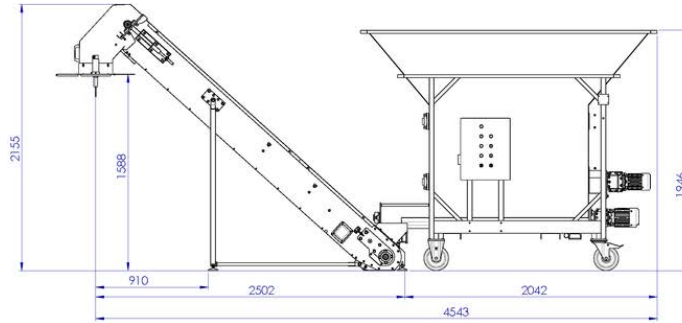
SPECIFICATIONS

MB2

Capacity 2 m³

Illustration: Discharge with conveyor belt

Optional: Discharge with screw conveyor

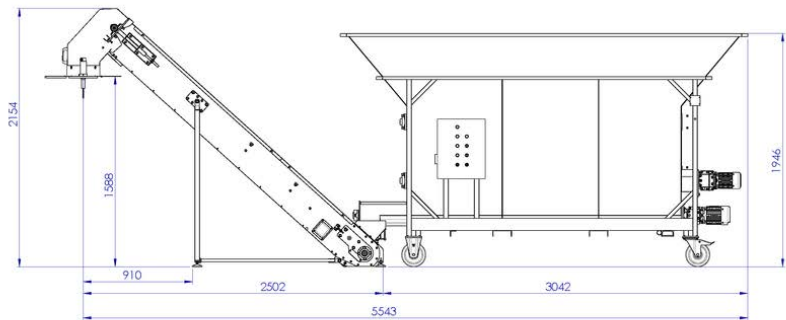


MB4

Capacity 4 m³

Illustration: Discharge with conveyor belt

Optional: Discharge with screw conveyor

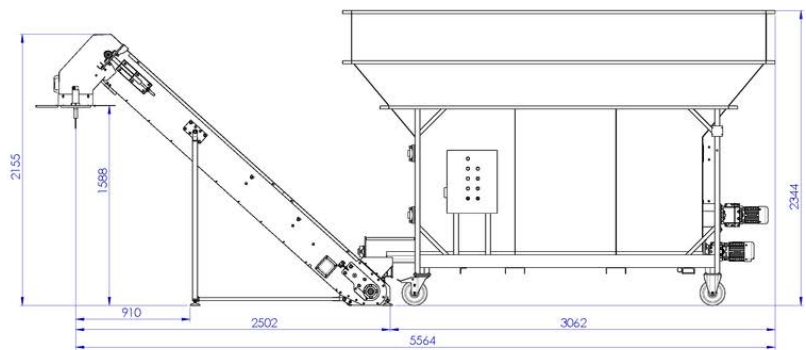


MB6

Capacity 6 m³

Illustration: Discharge with conveyor belt

Optional: Discharge with screw conveyor

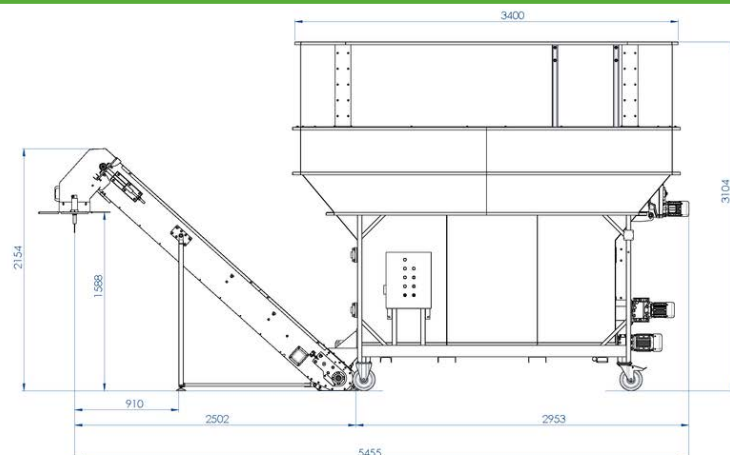


MB10

Capacity 10 m³

Illustration: Discharge with conveyor belt

Optional: Discharge with screw conveyor



Product illustrations similar; Changes possible at any time; All information without guarantee; Acceptance by ECOKRAFT AG applies; Status: 06/2022

